

URBAN COLLECTION

PRODUCT IMAGES

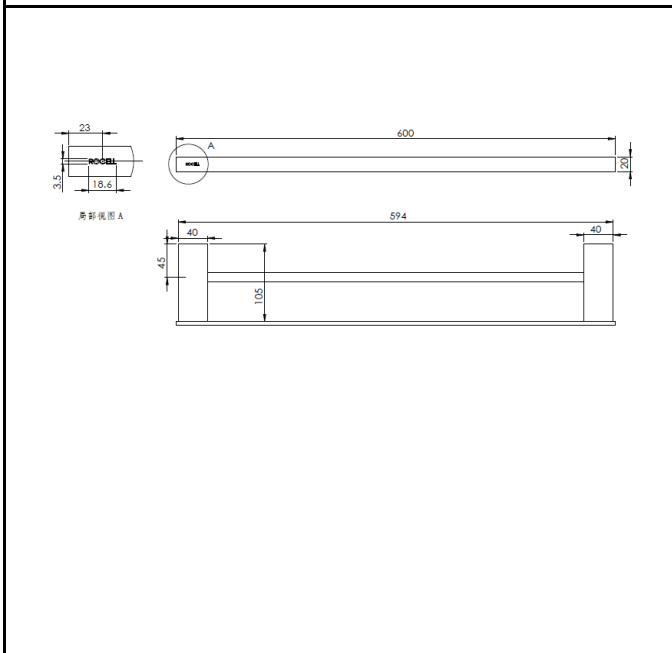


PRODUCT FEATURES

Type: URBAN DOUBLE TOWEL RAIL 60CM

Cod.: IDC-A0302

TECHNICAL DRAWING



Material: Brass body

Finish: Chrome finish

SPECIFICATION

Installation Type: wall-hung

Brass Body

Test NSS: 200h

For detailed information, please see our website www.idcgroupcompany.com.

Legal disclaimer: The details provided by this technical file have an informational purpose, thus no contractual value. To obtain further information about the materials and the installation, please contact one of our sales advisors. INFINITY reserves the right to modify or delete any information regarding its products. Weights, measurements and colours may be subject to small variations.