



#### PRODUCT IMAGES

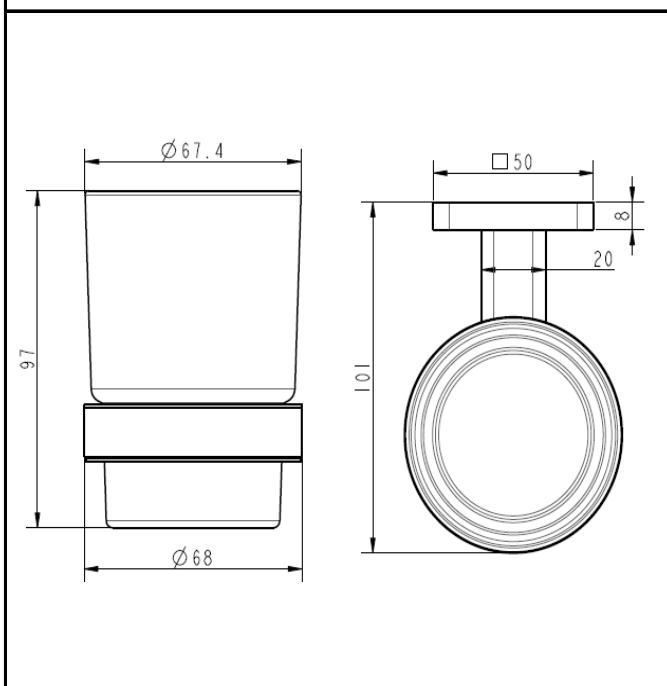


#### PRODUCT FEATURES

Type: Tumble Holder

Code: IDC-A0728

#### TECHNICAL DRAWING



Material: Brass parts, Glass Cup

Finishing: Chrome

#### SPECIFICATION

Installation Type: wall-hung

Test NSS: 200h