



PRODUCT IMAGES

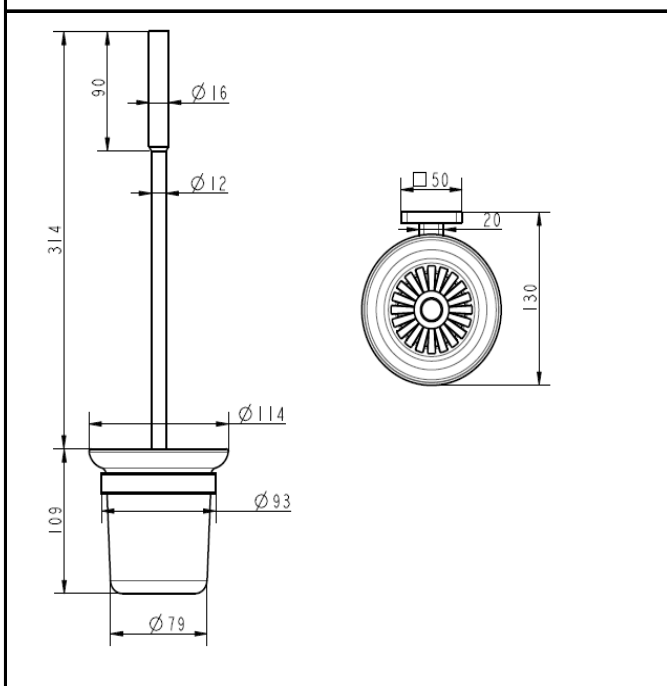


PRODUCT FEATURES

Type: Toilet Brush Holder

Code: IDC-A0729

TECHNICAL DRAWING



Material: Brass parts, Glass Cup, ABS brush

Finishing: Chrome

SPECIFICATION

Installation Type: wall-hung

Test NSS: 200h