

BASIC COLLECTION

PRODUCT IMAGES

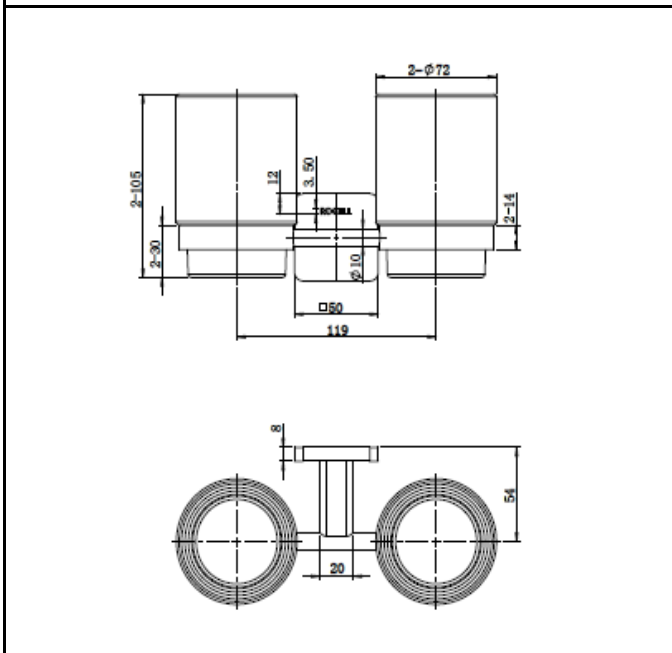


PRODUCT FEATURES

Type: BASIC DOUBLE TUMBLER HOLDER

Cod.: IDC-A0225

TECHNICAL DRAWING



Material: Brass body

Finish: Chrome finish

SPECIFICATION

Installation Type: wall-hung

Brass Body

Test NSS: 200h

For detailed information, please see our website www.idcgroupcompany.com.